



### FEATURES

- Four 5" LF drivers + one 10" passive radiator
- Extended bass response down to 39 Hz
- Compact, lightweight and discreet
- Recessed dual-position French cleat wall-mount system
- IP55 + Salt Water Resistant

### APPLICATIONS

- Restaurants
- Lounges
- Residential Systems
- Hospitality
- Gardens

### DESCRIPTION

WSUB45i is an ultra compact, slim and powerful lightweight subwoofer. It is equipped with four 5" low frequency drivers and a single 10" passive radiator. This configuration allows the WSUB45 to provide potent bass reinforcement, with a maximum SPL of 123 dB, while maintaining an extremely compact footprint and very clean look.

The WSUB45i is only 6.6" (168 mm) deep. Its unique, dual-position (horizontal or vertical) recessed French cleat hardware and screw terminal connectors allow it to be simply and rapidly installed perfectly flush against walls. It also features 12 rigging points for further mounting possibilities of surface or flush mounting in walls or ceilings. The Wall Sub comes with removable rubber feet for floor deployment. The Wall Sub can be paired with any of the loudspeakers in the Cannon Series to form an ideal powerful and discreet installed audio system.

## SPECIFICATIONS

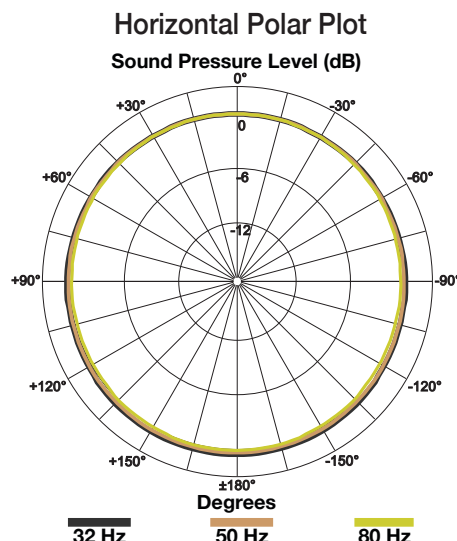
### Audio Specifications

- Description:** Passive, compact, narrow-profile installation subwoofer
- Bandwidth:** 39 Hz - 140 Hz (-6 dB preset dependent)
- Max SPL:** 123 dB SPL @ 1 m with preset
- Power:** 900 watts (program), 450 watts (AES)
- Directivity:** Omnidirectional
- Elements:** (4) 5" low frequency drivers, (1) 10" passive radiator
- Impedance:** 8 Ω
- Connectors:** (1) Screw terminal block with input +/- and link +/-

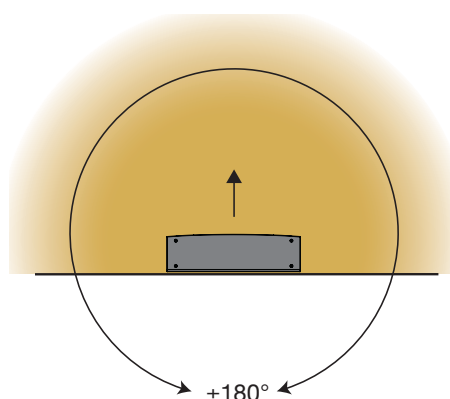
### Mechanical Specifications

- IP Rating:** IP55 indoor/outdoor and salt water resistant
- Rigging:** (12) points M6, (2) integrated French cleats
- Weight:** 25.1 lbs / 11.4 kg
- Construction:** Finland birch ply (urea glue), matte salt and UV resistant coating, 316 stainless steel hardware, 3D spacer mesh fabric
- Dimensions:** 11.7" (298 mm) x 6.6" (167 mm) x 23.5" (596 mm)
- Colors:** Stocking black and white, custom colors and fabrics available
- Accessories:** French Cleat for horizontal and vertical hanging [included], recessed rubber feet [included], C-Clamp & Bridge Kit, M6 Hanging Kit, Ceiling Tile Grille

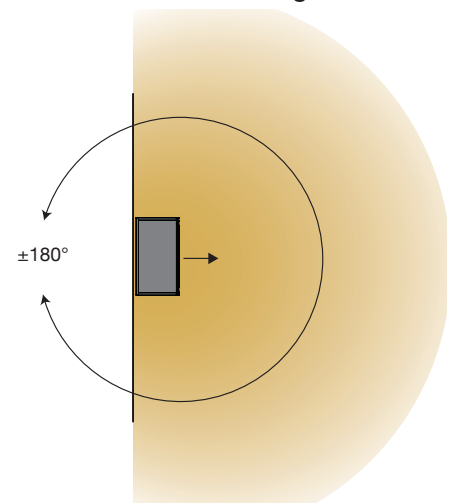
## DIRECTIVITY



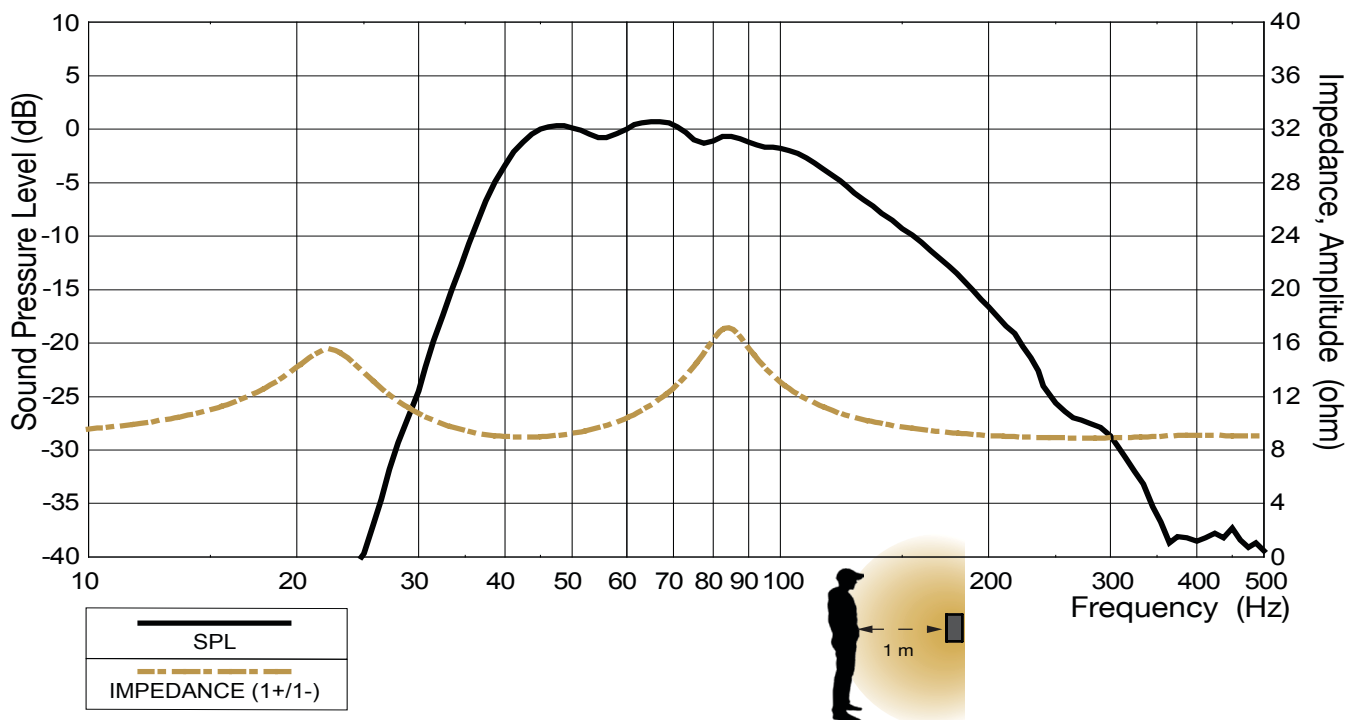
### Horizontal Coverage



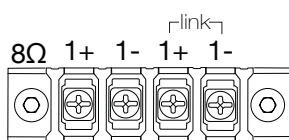
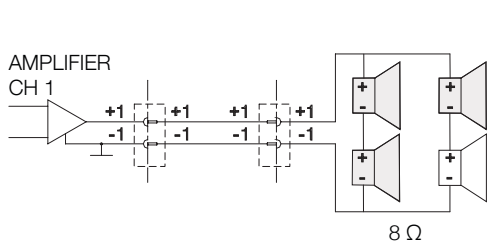
### Vertical Coverage



FREQUENCY RESPONSE

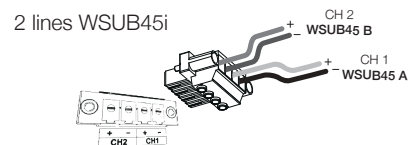
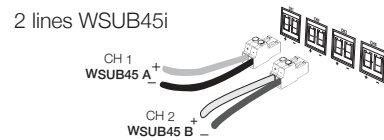


WIRING



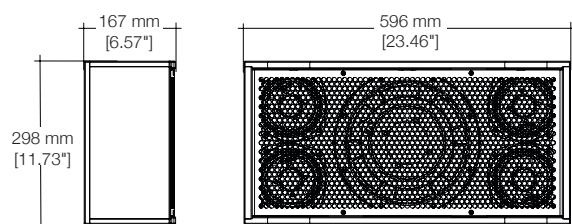
Terminals:  
 1+ Positive  
 1- Negative  
 1+ Positive (parallel link)  
 1- Negative (parallel link)

Screw terminal input/link wiring

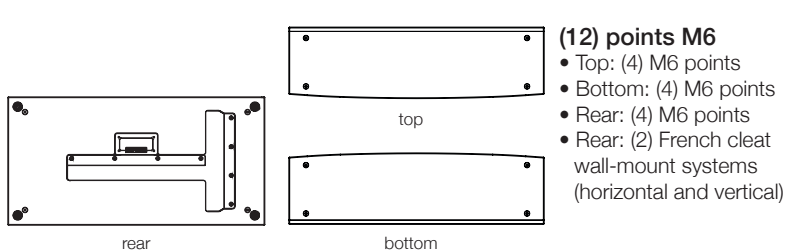


Euroblock 2/4-p amplifier output wiring

DIMENSIONS



RIGGING



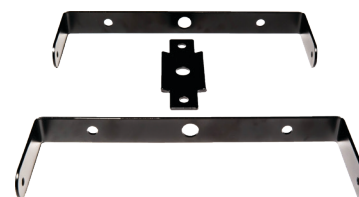
ACCESSORIES



Ceiling Tile Grille



Hanging Kit



C-Clamps & Bridge Kit

Contact

For more product or service information please contact the 1 SOUND headquarters.

1 SOUND, Manufacturer  
 USA Distributor  
 34 Apple Street  
 Tinton Falls, NJ 07724

tel. +1-732-798-9900  
 sales@1-sound.com

Warranty

All manufactured 1 SOUND products are warranted to be free from defects in materials or workmanship for a period of 3 years from original purchase. If there is specific hardware or grilles you might want replaced or any repairs needed please contact your region's authorized 1 SOUND distributor.