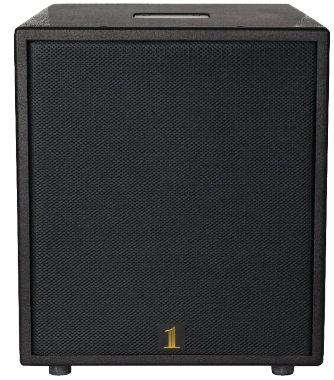


FEATURES

- One 10" transducer
- Very Compact with a small footprint
- Lightweight, only 36.2 lbs (16.4 kg)
- Extended bass response down to 35 Hz

APPLICATIONS

- Restaurants
- Lounges
- Houses of Worship
- Residential Systems
- Portable Systems



DESCRIPTION

The SUB10 is a high-performance, passive, reflex bass unit. It is equipped with a single 10" low frequency driver with a 2.5" voice coil. Its extended bass response goes down to 35 Hz with low distortion. SUB10 is very lightweight and has a compact footprint. The enclosure features two recessed NL4 connectors so the sub can be placed directly against a wall.

The SUB10 is ideal for restaurants and lounges, fitting underneath or in between banquettes, but also in residential applications or portable systems.

SPECIFICATIONS

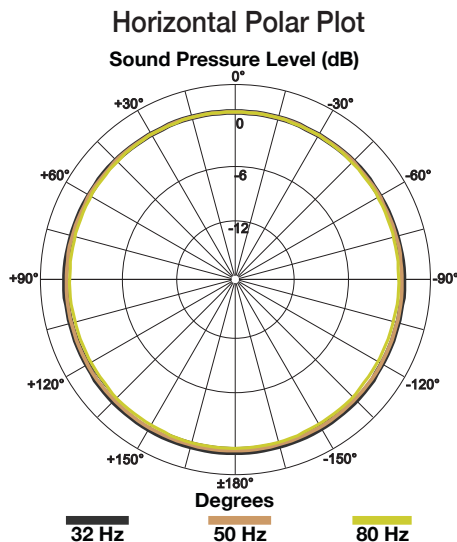
Audio Specifications

- Description:** Compact, passive, reflex bass unit
- Bandwidth:** 35 Hz - 125 Hz (-6 dB preset dependent)
- Max SPL:** 123 dB SPL @ 1 m with preset
- Power:** 600 watts (program)
- Directivity:** Omnidirectional
- Elements:** (1) 10" low frequency driver with a 2.5" voice coil
- Impedance:** 8 Ω
- Connectors:** (2) recessed NL4

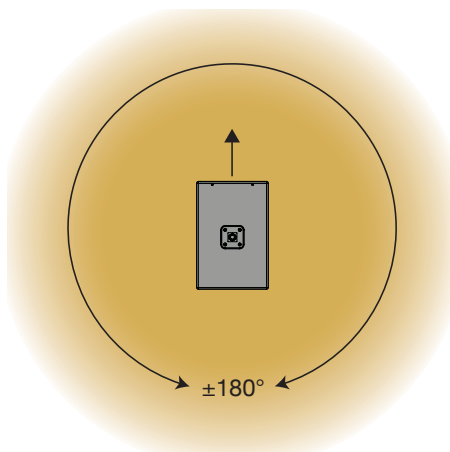
Mechanical Specifications

- IP Rating:** IP55 indoor/outdoor and salt water resistant
- Rigging:** (4) points M8
- Weight:** 36.2 lbs / 16.4 kg
- Construction:** Finland birch ply (urea glue), matte salt and UV resistant coating, 316 stainless steel hardware, 3D spacer mesh fabric
- Dimensions:** 13.8" (350 mm) x 12.6" (320 mm) x 18.9" (480 mm)
- Colors:** Stocking black and white, custom colors and fabrics available
- Accessories:** Sub Pole Cup for an M20 screw-in pole or Active Speaker Tubes, M8 Hanging Kit, removable rubber feet [included]

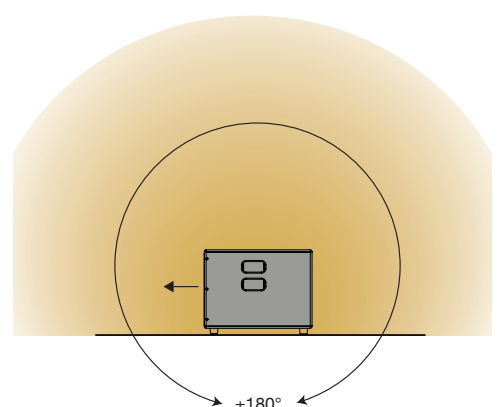
DIRECTIVITY

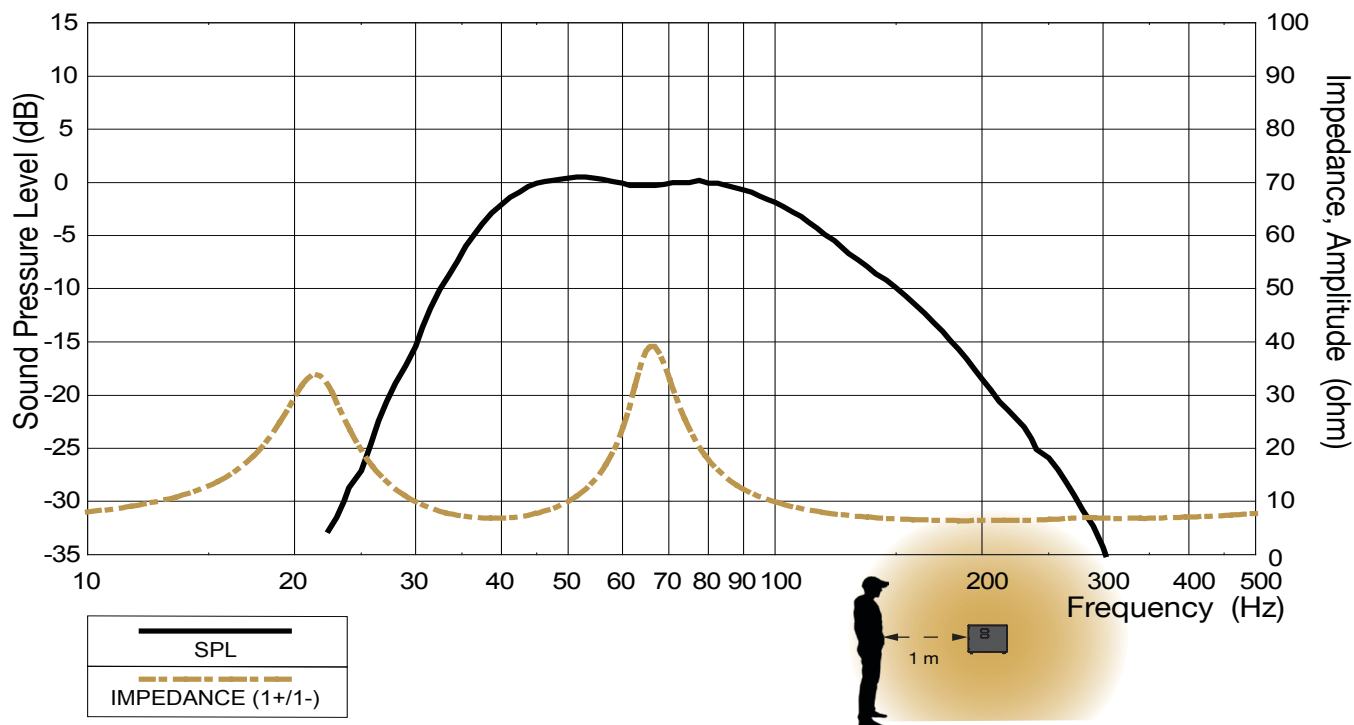


Horizontal Coverage

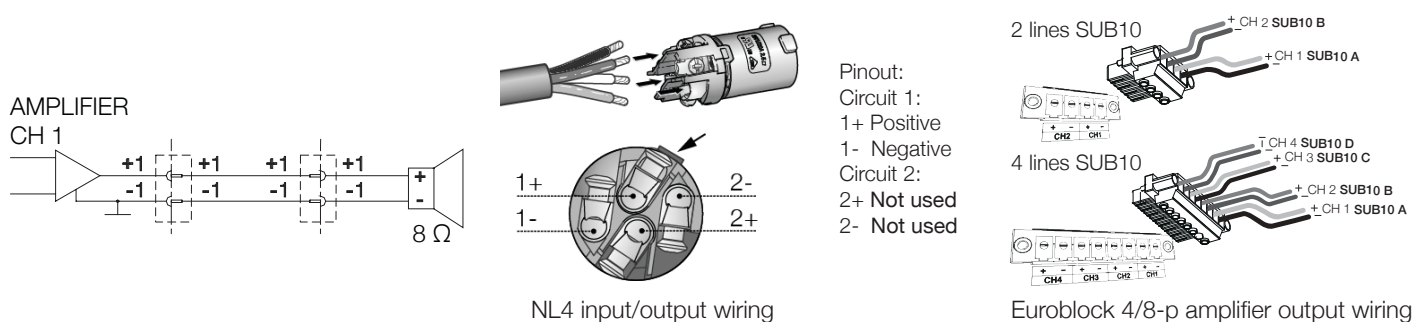


Vertical Coverage



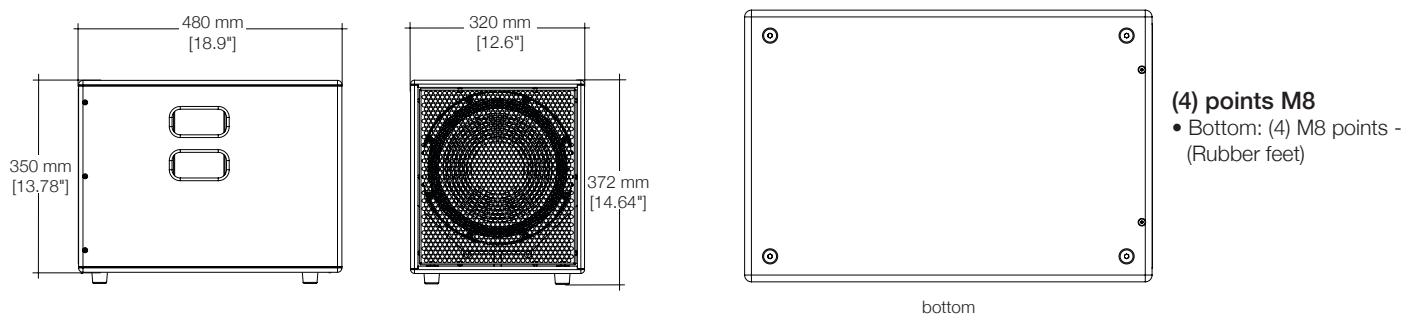


WIRING



DIMENSIONS

RIGGING



ACCESSORIES



Sub Pole Cup



Active Speaker Tubes



Hanging Kit

Contact

For more product or service information please contact the 1 SOUND headquarters.

1 SOUND, Manufacturer
 USA Distributor
 34 Apple Street
 Tinton Falls, NJ 07724

tel. +1-732-798-9900
 sales@1-sound.com

Warranty

All manufactured 1 SOUND products are warranted to be free from defects in materials or workmanship for a period of 3 years from original purchase. If there is specific hardware or grilles you might want replaced or any repairs needed please contact your region's authorized 1 SOUND distributor.

