

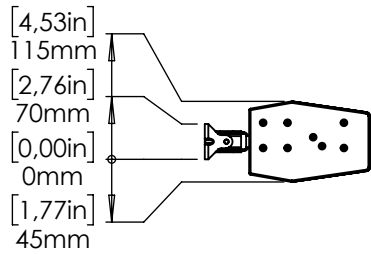
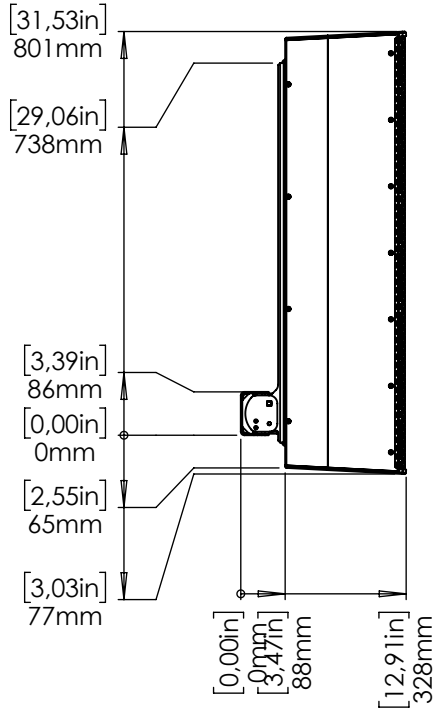
Project: LCC84_Bracket		Version v2	
A4	Scale: 1:5	Revision:	First Angle Proj.
Weight (Kg): 1397.52			



1 SOUND
www.1-sound.com

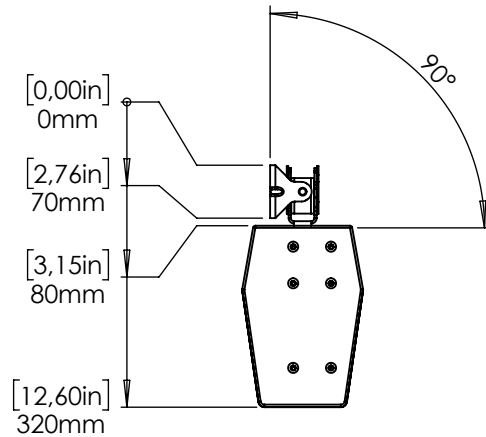
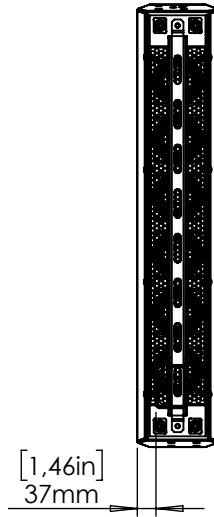
STRAIGHT

Rotation: 0° - Tilt: 0°



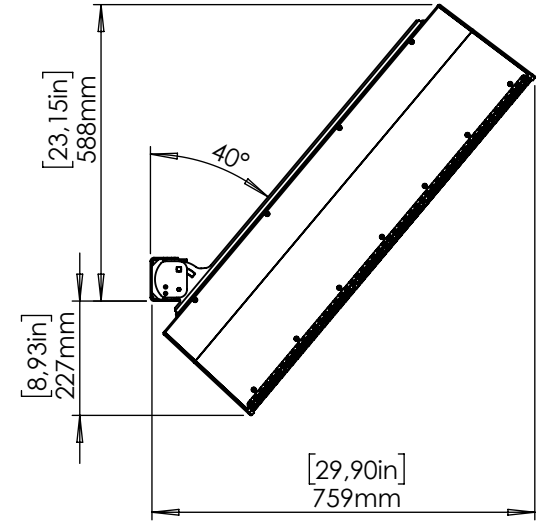
MAX ROTATION

Rotation: 90° - Tilt: 0°



MAX TILT

Rotation: 0° - Tilt: 40°



Project:

LCC84_Bracket

Version

v3.3

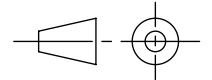
A4

Scale: 1:15

Revision:

First Angle Proj.

Weight (Kg): 18522.01



1 SOUND
www.1-sound.com