

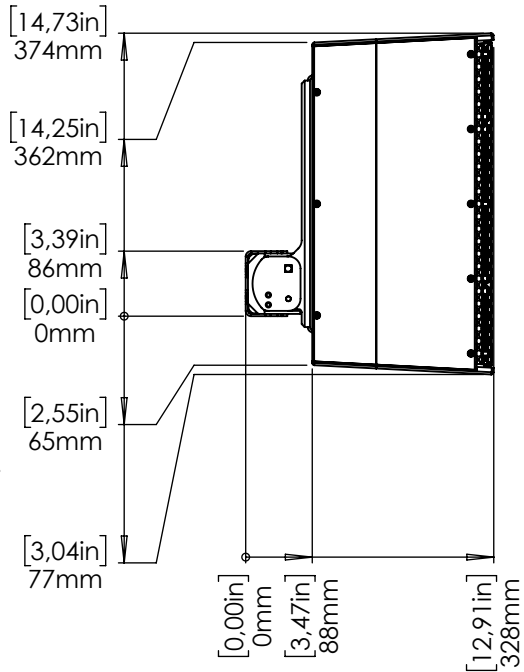
<b>Project:</b> <b>LCC_Bracket</b>		<b>Version</b> <b>v2</b>	
<b>A4</b>	<b>Scale:</b> 1:3	<b>Revision:</b>	<b>First Angle Proj.</b>
<b>Weight (Kg):</b> 965.80			



**1 SOUND**  
www.1-sound.com

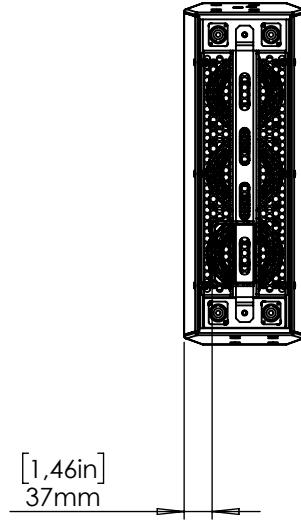
# STRAIGHT

Rotation: 0° - Tilt: 0°



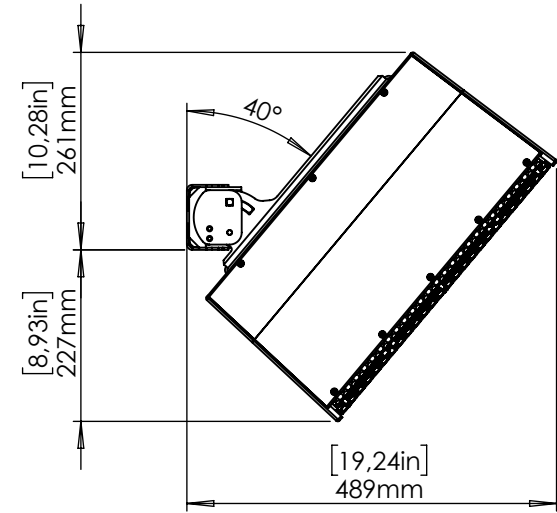
# MAX ROTATION

Rotation: 90° - Tilt: 0°

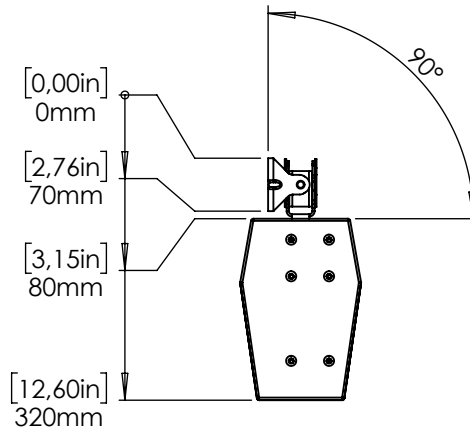
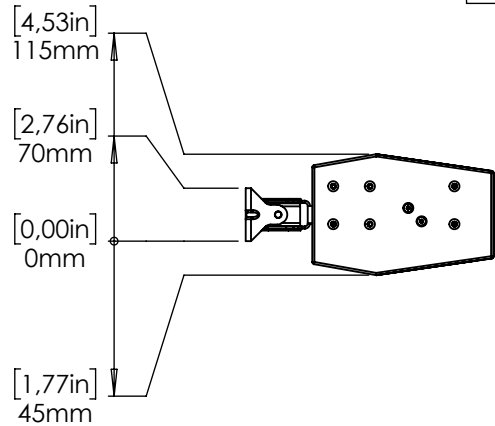


# MAX TILT

Rotation: 0° - Tilt: 40°



B



Project:

**LCC44\_Bracket**

Version

**v3.3**

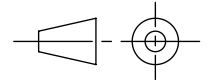
A4

Scale: 1:10

Revision:

First Angle Proj.

Weight (Kg): 10241.63



**1 SOUND**  
www.1-sound.com

A

A