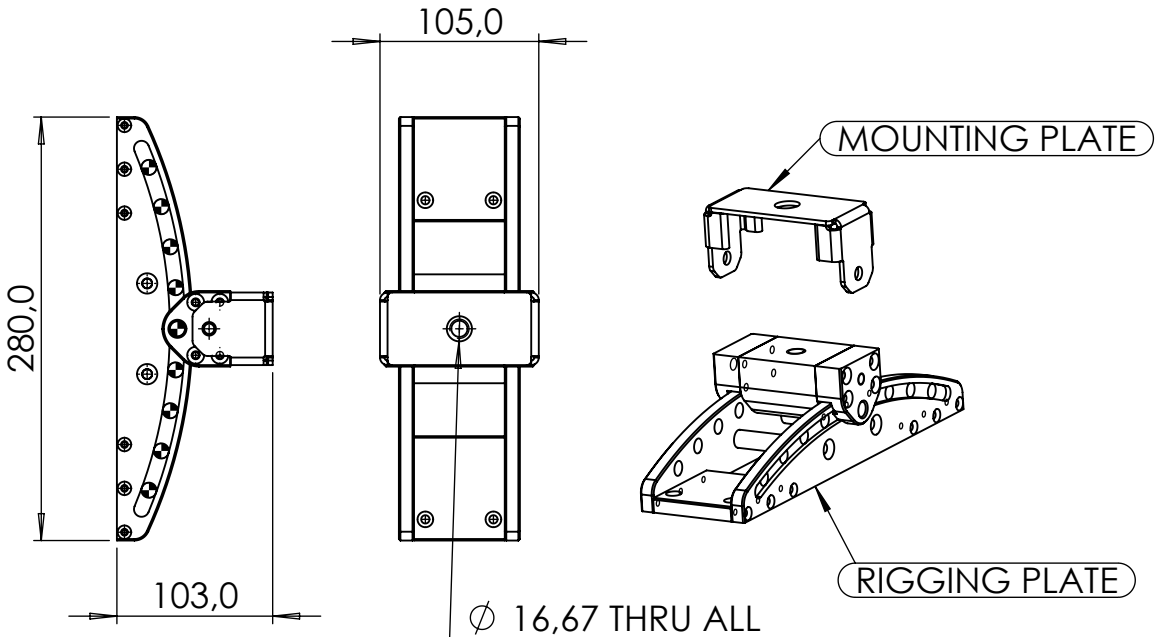
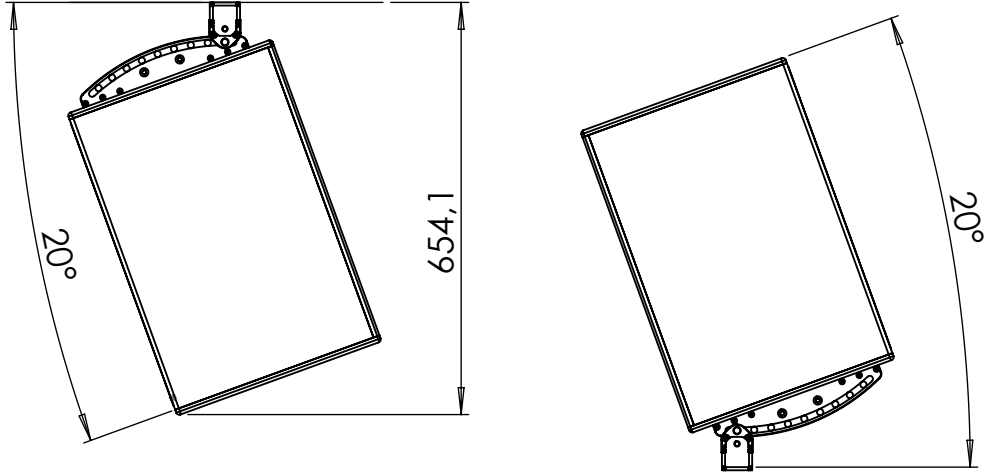
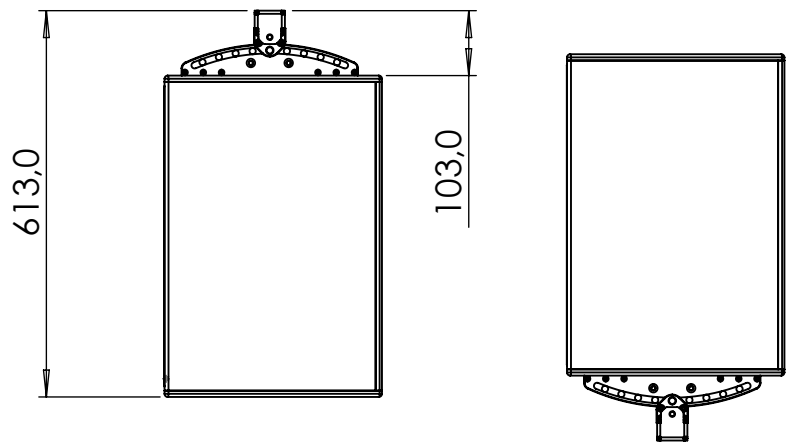


CT28 - CONTOUR RIGGING SYSTEM

CEILING AND POLE STANDING - 0°

CEILING AND POLE STANDING - MAX TILT - 20°



Project: CT28		Version v5	
A4	Scale: 1:12	Revision:	First Angle Proj.
Weight (Kg): 23.97			

1 SOUND
www.1-sound.com