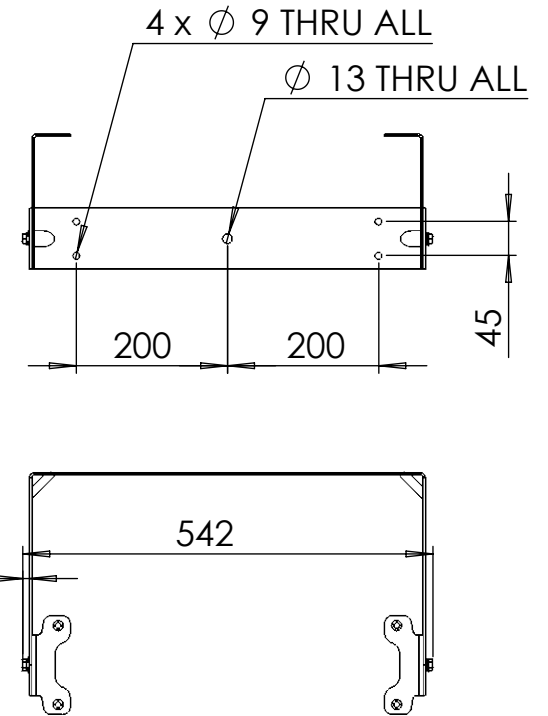
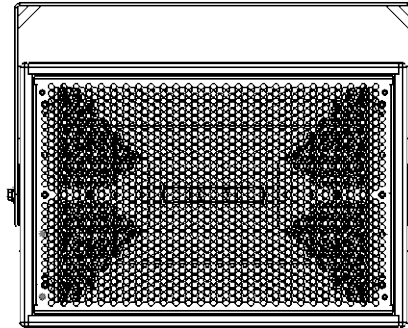
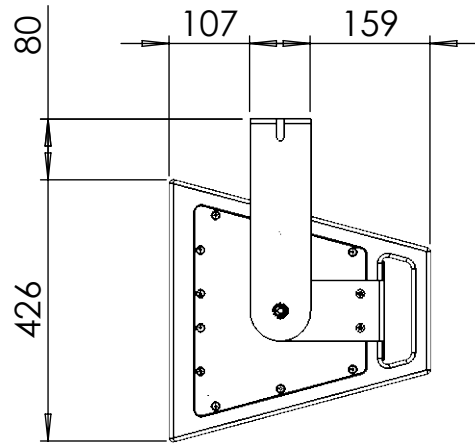
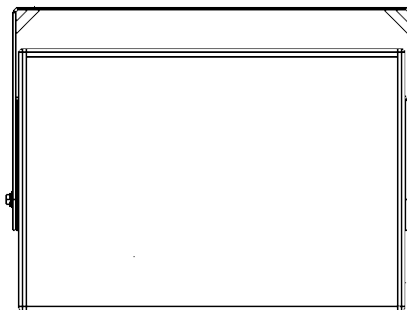
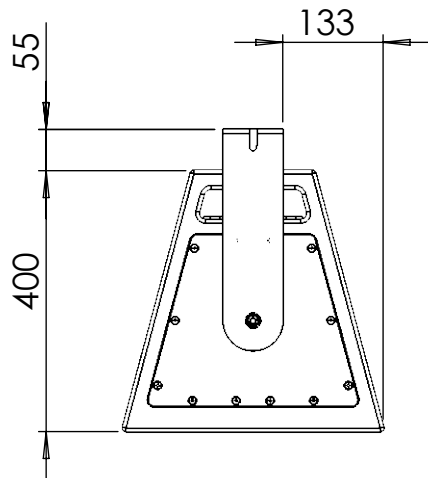


# 90° Tilting Angle



# 180° Tilting Angle

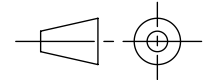


Project:  
**CT28**

A4 Scale: 1:10

Weight (Kg):

First Angle Proj.



**1 SOUND**  
www.1-sound.com