

CANNON C8I

HIGH FIDELITY COAXIAL SPEAKER ENCLOSURE



FEATURES

- 8" Coaxial Transducer
- 7" Passive Radiator
- Bass Response Down to 55 Hz
- 90° × 60° Coverage Pattern
- 120 dB maximum SPL
- IP55 + Salt Water Resistant

APPLICATIONS

- Restaurants
- Monitors
- Front Fills
- Outdoor Systems

DESCRIPTION

The C8i is the largest and most powerful Cannon Coaxial model for permanent installations. C8i utilizes an 8" low-frequency driver with a concentrically-mounted compression driver, the latter coupled with a 90° × 60° wave guide, to help focalize the coverage where it is needed and reduce reflections from ceilings or overhangs. The enclosure also incorporates a rear-facing 7" passive radiator specifically tuned to extend the bass frequency response. These features allow the C8i to provide a full-range bandwidth and up to 120 dB SPL, all with high-fidelity sound quality.

The C8i features a screw terminal block connector, with parallel link output. The C6i is also available in the C6 version, which has two Speakon connectors and a 2-circuit input selector switch.

SPECIFICATIONS

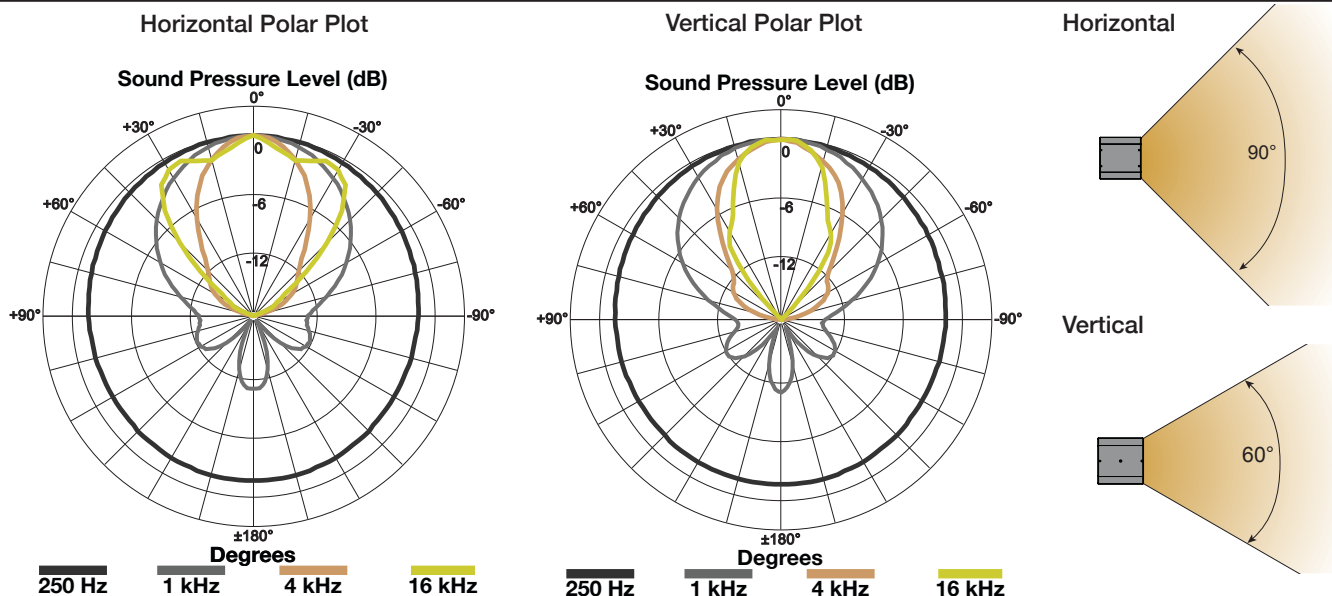
Audio Specifications

- Description:** Passive 8" coaxial with a 7" passive radiator
- Bandwidth:** 55 Hz - 18 kHz (-6 dB)
- Max SPL:** 120 dB SPL @ 1 m w/ preset
- Power:** 400 watts (program), 200 watts (AES)
- Directivity:** 90° horizontal × 60° vertical
- Elements:** (1) 8" coaxial with a compression driver high frequency element, (1) 7" passive radiator
- Impedance:** 8 Ω
- Connectors:** (1) screw terminal block with input +/- and link +/-

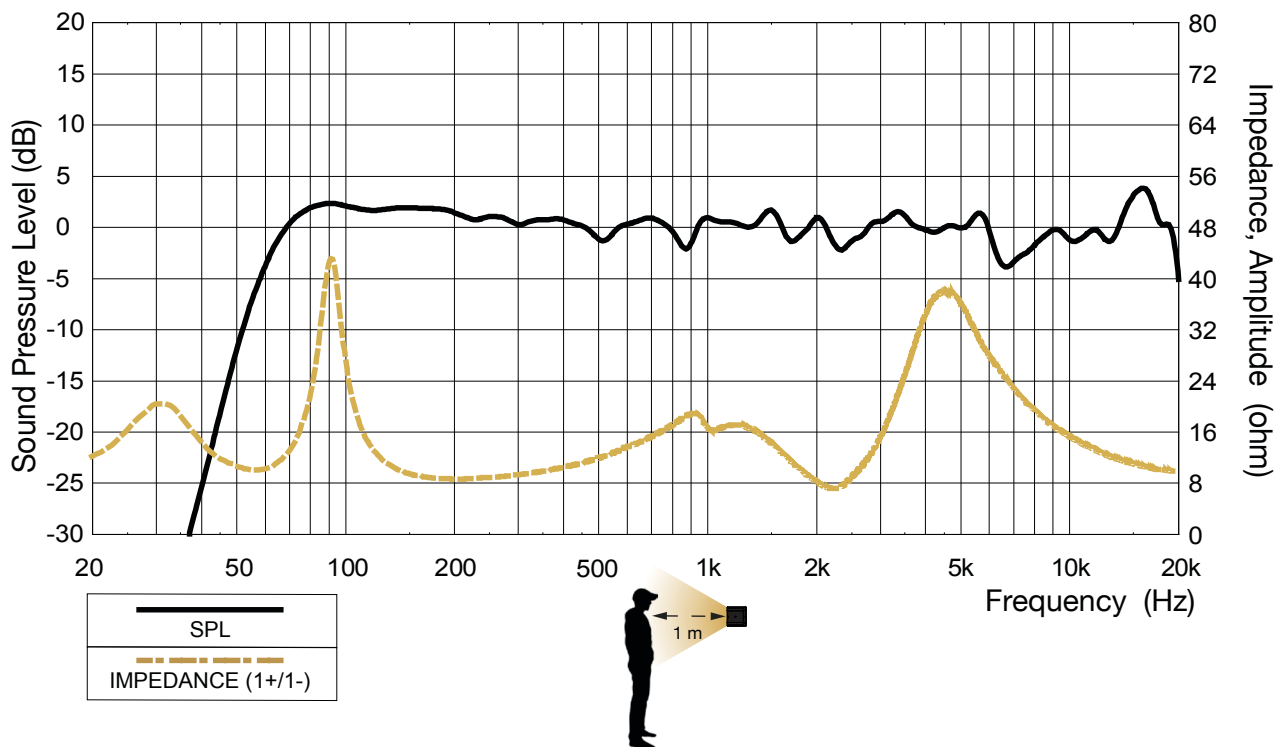
Mechanical Specifications

- IP Rating:** IP55 indoor/outdoor and salt water resistant
- Rigging:** (4) M6 points
- Weight:** 12 lb / 5.4 kg
- Construction:** Finland birch plywood (urea glue), structural stainless steel interior, polyurea, matte salt and UV resistant coating, 316 stainless steel hardware, 3D spacer mesh fabric
- Dimensions:** 10.2" (260 mm) x 10.2" (260 mm) x 10.2" (260 mm)
- Colors:** Stocking black and white, custom colors and fabrics available
- Accessories:** C-Clamp (wall, truss, mic stand, ceiling mounting), L-Bracket, Mounting Plate, Pole Mount Adaptor, Tube Mount

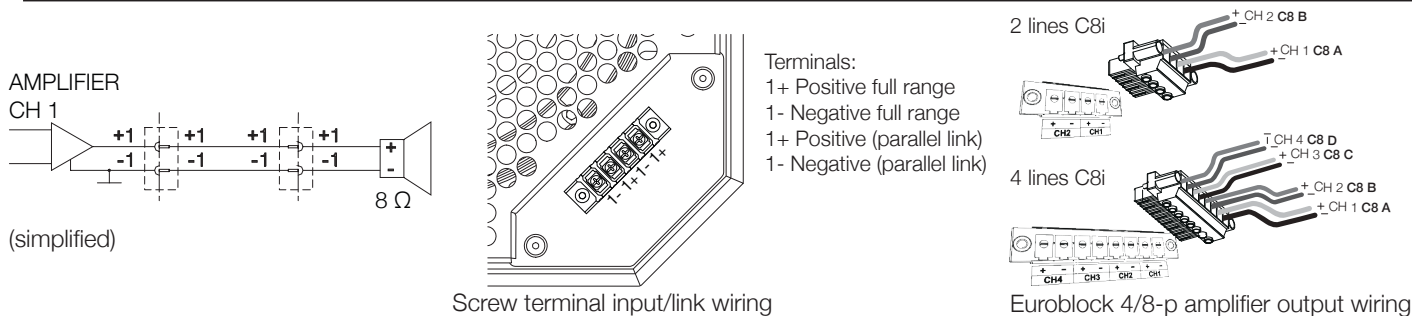
DIRECTIVITY



FREQUENCY RESPONSE

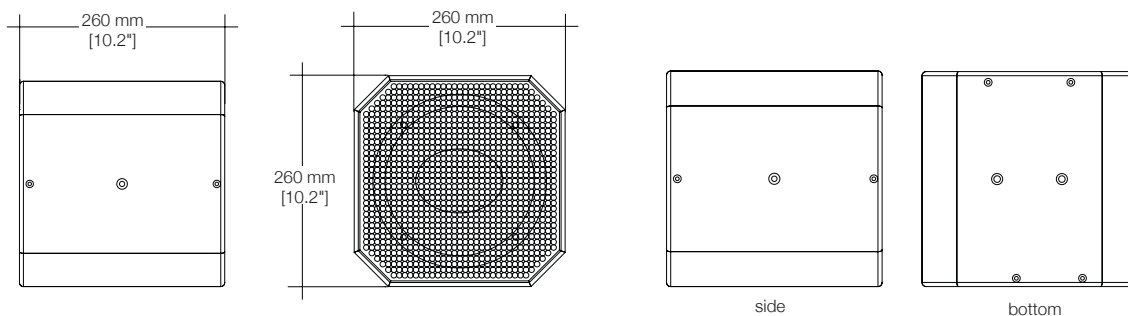


WIRING



DIMENSIONS

RIGGING



- (4) points M6
- Bottom: (2) points M6 – for mounting plate and pole mount
 - Sides: (2) points M6 – 1 each side for C-Clamp

ACCESSORIES



Contact

For more product or service information please contact the 1 SOUND headquarters.

1 SOUND, Manufacturer
USA Distributor
34 Apple Street
Tinton Falls, NJ 07724

tel. +1-732-798-9900
sales@1-sound.com

Warranty

All manufactured 1 SOUND products are warranted to be free from defects in materials or workmanship for a period of 3 years from original purchase. If there is specific hardware or grilles you might want replaced or any repairs needed please contact your region's authorized 1 SOUND distributor.

