

CANNON C6I

HIGH FIDELITY COAXIAL INSTALLATION SPEAKER ENCLOSURE



FEATURES

- 6.5" + 1" Coaxial Transducer
- 5" Passive Radiator
- Bass Response Down to 60 Hz
- 85° Conical Coverage Pattern
- High Fidelity
- IP55 + Salt Water Resistant

APPLICATIONS

- Restaurants
- Monitors
- Front Fills
- Outdoor Systems

DESCRIPTION

The C6i is a unique point source, coaxial loudspeaker. Each Cannon model utilizes a low frequency driver with a coaxially mounted 1" silk dome high frequency driver. The Cannons' silk dome driver is a purpose-built, ferrofluid-cooled design that enables high sound pressure levels, with improved sound quality, as well as consistency and durability over time. The enclosure also incorporates a rear-facing passive radiator specifically tuned to extend the bass frequency response. These key features allow the C6 to provide the sound quality of a studio monitor.

The C6i features a screw terminal block connector, with parallel link output. The C6i is also available in the C6 version, which has two Speakon connectors and a 2-circuit input selector switch, making it recommended for outdoor use.

SPECIFICATIONS

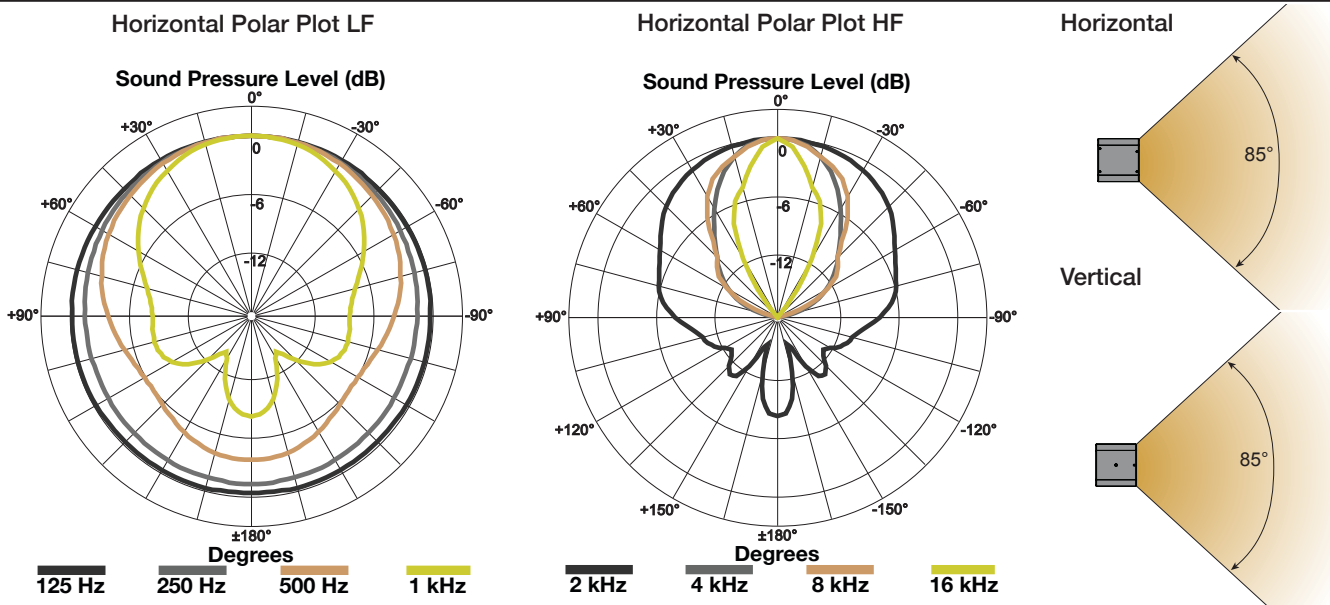
Audio Specifications

- Description:** Passive 6.5" coaxial with a 5" passive radiator
- Bandwidth:** 60 Hz - 18 kHz (-6 dB)
- Max SPL:** 114 dB SPL @ 1 m w/ preset
- Power:** 240 watts (program), 120 watts (AES)
- Directivity:** 85° conical
- Elements:** (1) 6.5" coaxial with a 1" dome high frequency element, (1) 5" passive radiator
- Impedance:** 16 Ω
- Connectors:** (1) screw terminal block with input +/- and link +/-

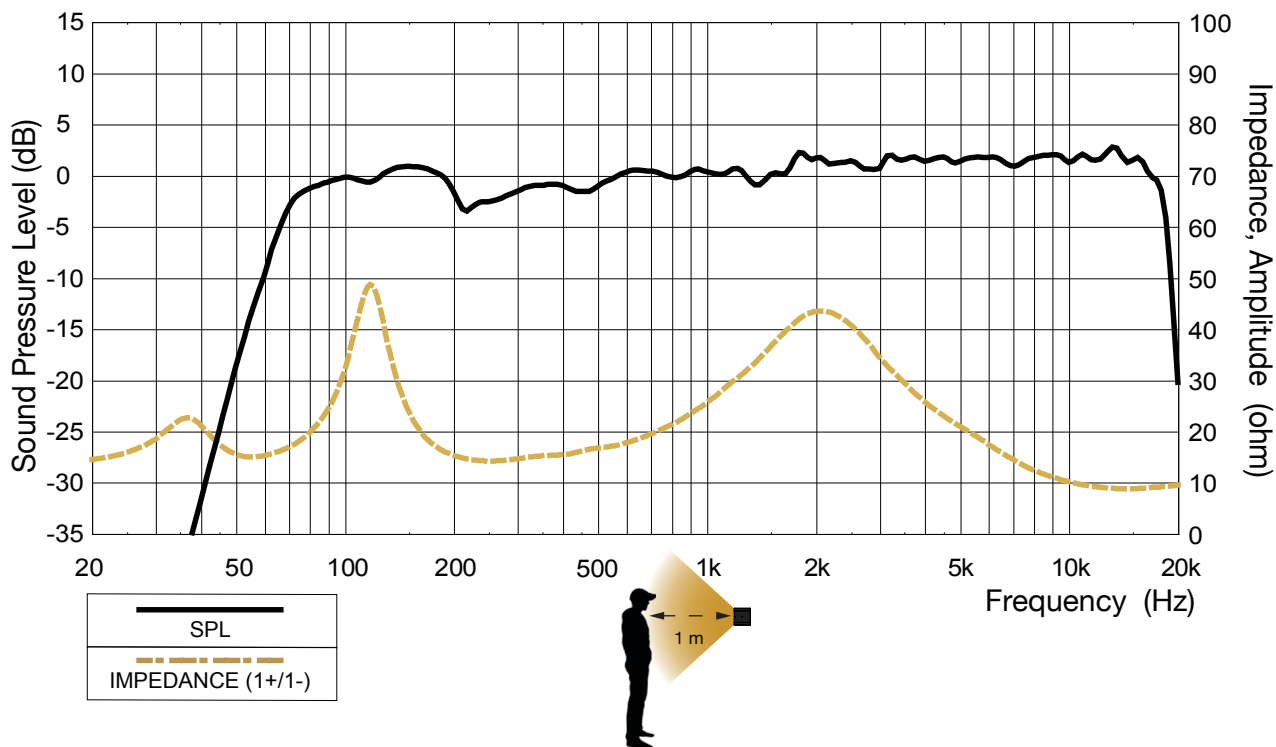
Mechanical Specifications

- IP Rating:** IP55 indoor/outdoor and salt water resistant
- Rigging:** (4) M6 points
- Weight:** 10.6 lb / 4.8 kg
- Construction:** Finland birch plywood (urea glue), structural stainless steel interior, polyurea, matte salt and UV resistant coating, 316 stainless steel hardware, 3D spacer mesh fabric
- Dimensions:** 8.4" (214 mm) x 8.4" (214 mm) x 8.2" (208 mm)
- Colors:** Stocking black and white, custom colors and fabrics available
- Accessories:** C-Clamp (wall, truss, mic stand, ceiling mounting), L-Bracket, Mounting Plate, Pole Mount Adaptor, Tube Mount

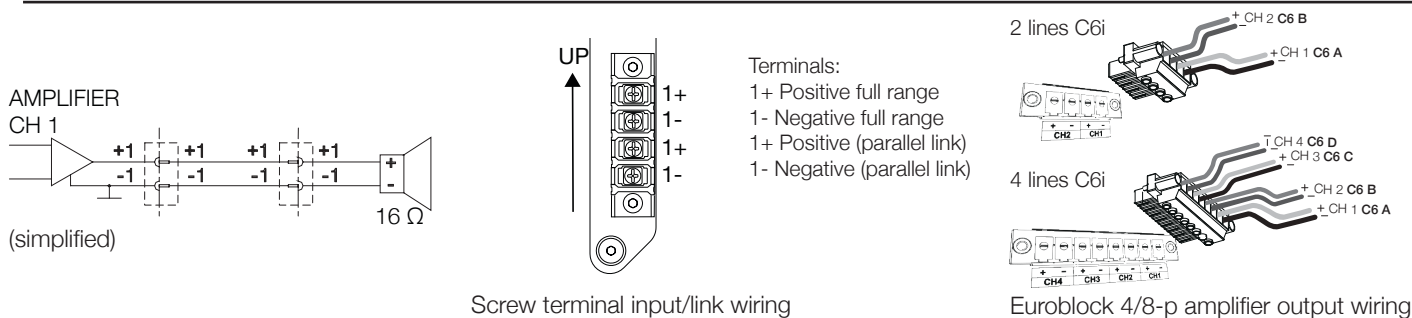
DIRECTIVITY



FREQUENCY RESPONSE

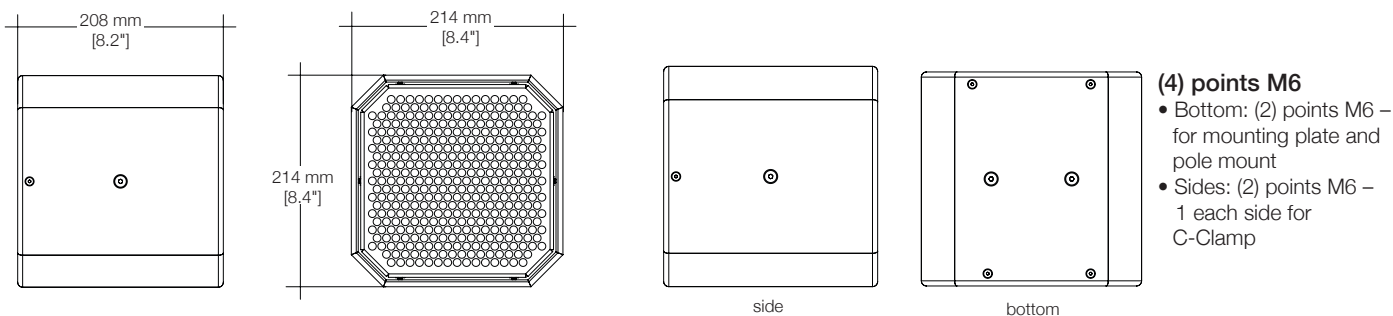


WIRING



DIMENSIONS

RIGGING



ACCESSORIES



Contact

For more product or service information please contact the 1 SOUND headquarters.

1 SOUND, Manufacturer
USA Distributor
34 Apple Street
Tinton Falls, NJ 07724

tel. +1-732-798-9900
sales@1-sound.com

Warranty

All manufactured 1 SOUND products are warranted to be free from defects in materials or workmanship for a period of 3 years from original purchase. If there is specific hardware or grilles you might want replaced or any repairs needed please contact your region's authorized 1 SOUND distributor.

